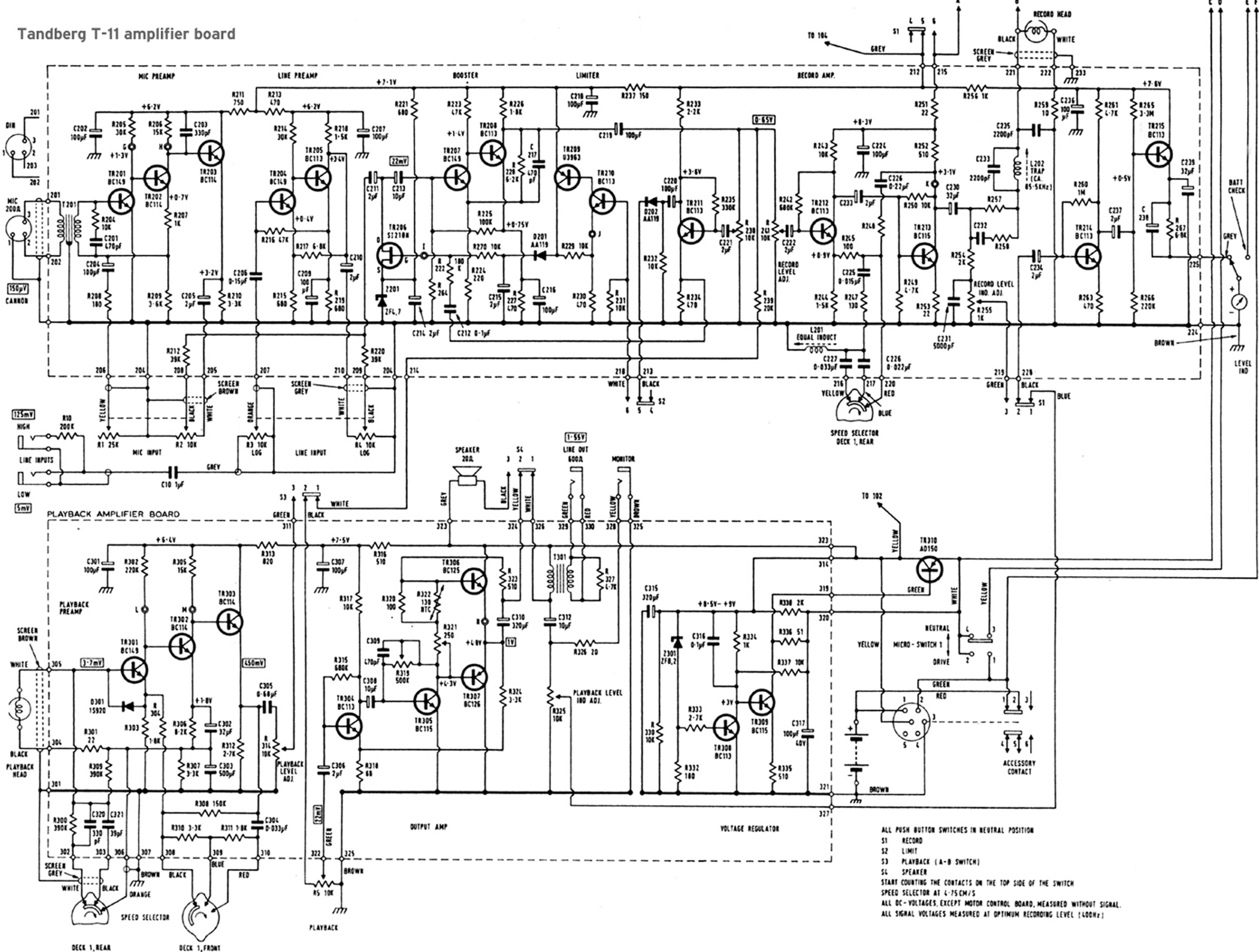


Tandberg T-11 amplifier board



ALL PUSH BUTTON SWITCHES IN NEUTRAL POSITION
 S1 RECORD
 S2 LIMIT
 S3 PLAYBACK (A-B SWITCH)
 S4 SPEAKER
 START COUNTING THE CONTACTS ON THE TOP SIDE OF THE SWITCH
 SPEED SELECTOR AT 4.75 CM/S
 ALL DC-VOLTAGES, EXCEPT MOTOR CONTROL BOARD, MEASURED WITHOUT SIGNAL.
 ALL SIGNAL VOLTAGES MEASURED AT OPTIMUM RECORDING LEVEL (400Hz)